



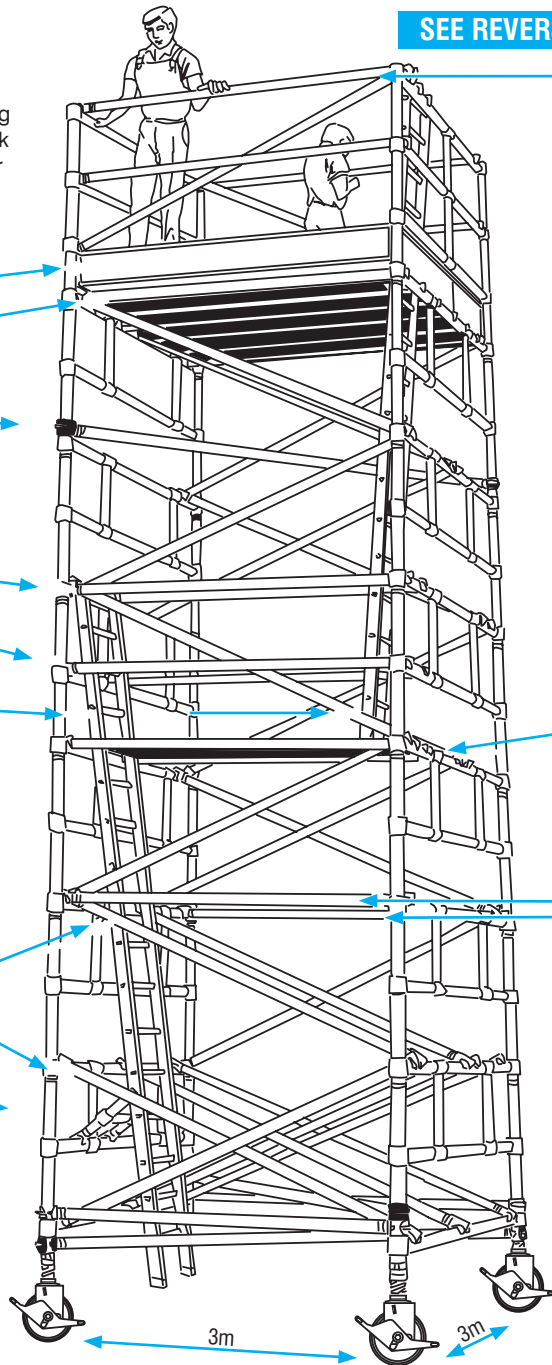
# INSTANT SCAFFOLD

## ERECTION GUIDE for 3m (10') SQUARE TOWERS

### 3M (10') SQUARE TOWERS

These mobile aluminium towers are most used where large work areas are required. The 3m square range provides freestanding work platforms up to 9m high and are quick and easy to move. They provide access for ceiling fixing, painting, sprinkler assembly and ducting installation.

SEE REVERSE SIDE FOR ERECTION DETAILS



**TOEBOARD**  
**PLATFORMS**

**PLATFORMS** (Black Hooks)  
Every 4th Extension Unit.

**HORIZONTAL BRACE**  
(Yellow Hooks) (Use as hand rail and mid-rail where required).

**LADDERS**

**NOTE** The tower illustrated may be used higher than stated if tied-in to a stable structure in an approved manner. Specification vary in different states. To ensure Departmental and Health and Safety compliance please check with your local Instant Access representative. Competent persons must be used to erect, alter or dismantle towers when a person or object can fall a distance of 4.0M or more. Refer to your local O.H. & S Department for further details if in doubt.

**DIAGONAL BRACES**

**BASE FRAME**  
1.2m high (complete with adjustable legs and castor wheels).

**PLAN BRACES**  
(Black Hooks)

**200mm CASTOR WHEEL**  
and **ADJUSTABLE LEG**

**HORIZONTAL BRACE**  
(Yellow Hooks) (Use as hand rail and mid-rail).

**GUARD RAIL EXTENSION**  
= 2 FRAMES  
HORIZONTAL BRACES  
2 DIAGONAL BRACES

**1 WALK THROUGH PLATFORM**  
**4 PLAIN PLATFORMS**  
**1 TOEBOARD (OR MID RAILS)**  
**1 LADDER**

**0.8m EXTENSION UNIT**  
= 2 MANWAY FRAMES  
3 DIAGONAL BRACES

**LADDER CHANGE-OVER PLATFORM (WALK-THROUGH)**

**2 HORIZONTAL BRACES EVERY 4th RUNG (1.6m)**

**BASE UNIT**  
= 2 MANWAY BASE FRAMES (adjustable legs and castor wheels)  
6 DIAGONAL BRACES  
2 HORIZONTAL BRACES  
PLAN BRACES

### SPECIFICATIONS

<b>Safe working load</b>	: 2 men plus 25kg materials. Total 225kg
Width	: 3m
Length	: 3m
Frame heights	
Base Frame (with castors)	: 1.3m to 1.5m
Extension Frame	: 0.8m (2 rungs)
Guard Rail Frame	: 1.1m
Max. Platform height	: 9.0m free standing
Max. Working height	: 10.8m

**DO NOT TAKE CHANCES!** Failure to comply with the relevant Instant Scaffold Erection Guide may result in the Owner/ Hirer/ User incurring liability for damage and accident claims. For your safety, use only genuine guaranteed Instant Scaffold components, as supplied by Instant Access Aust P/L. Substituting other manufacturers' components could be dangerous and is not recommended.

FOR **INSTANT** SERVICE IN SUPPLYING YOUR ACCESS REQUIREMENTS CALL INSTANT ACCESS AUSTRALIA PTY LTD. BRANCHES LOCATED AT:

**SYDNEY** 32 Carter Street Homebush Bay, NSW 2127

**NEWCASTLE** 29 Gipps Street Carrington, NSW 2294

**BRISBANE** Bldg 3, 172 Robinson Road Geebung QLD 4034

**MELBOURNE** Unit 1, 2 Cyanamid Street Laverton North, VIC 3026

**CANBERRA** Unit 2, Subsidiary 2 (Rear Yard) 58 Sheppard Street Hume, ACT 2620

**AUCKLAND NZ** 104A Carbine Road Mt Wellington, NZ.

**WELLINGTON NZ** 66 Waione Street Petone, Lower Hutt, NZ.

PH: (02) 9748 6200

PH: (02) 4969 4133

PH: (07) 3624 3222

PH: (03) 9223 6666

PH: (02) 6260 1053

PH: +64 (09) 573 1009

PH: +64 (04) 589 1244

FAX: (02) 9748 6255

FAX: (02) 4962 2597

FAX: (07) 3865 8215

FAX: (03) 9223 6655

FAX: (02) 6260 1054

FAX: +64 (09) 573 1022

FAX: +64 (04) 589 1344

INSTANT ACCESS AUSTRALIA PTY LTD ABN 20 001 872 500 INSTANT ACCESS NZ LIMITED EMAIL: info@instaccess.com.au WEBSITE: www.instaccess.com.au

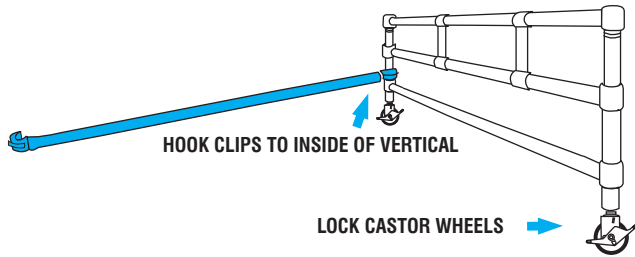


# INSTANT SCAFFOLD

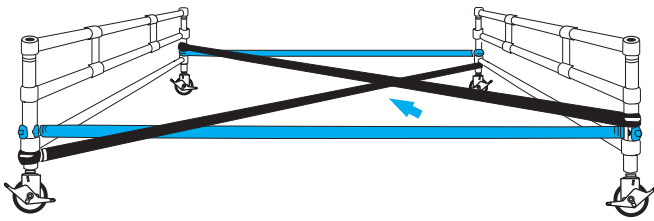
## ERECTION GUIDE

### 3m (10') SQUARE TOWERS

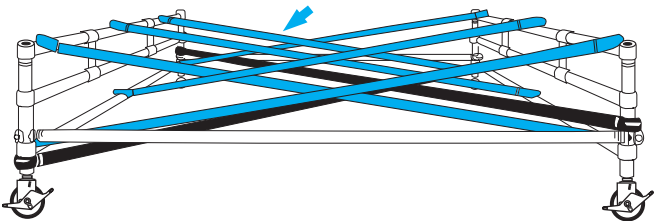
- 1** Attach **HORIZONTAL BRACE** (yellow hooks) to vertical tube of **BASE FRAME**. Ensure castors are locked. Frame is now self supporting.



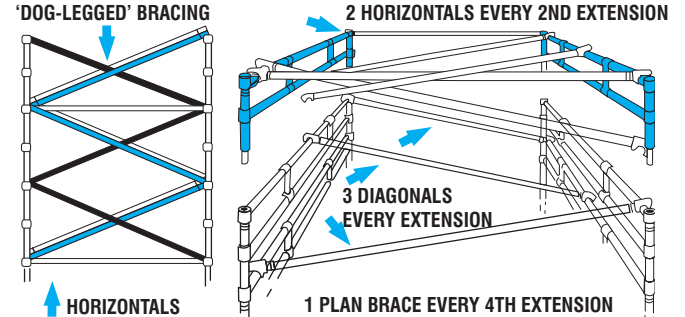
- 2** Attach spare end of brace to end of other **BASE FRAME**. Attach 2nd **HORIZONTAL BRACE** (yellow hooks) to other side of frame. Attach **PLAN BRACE(S)** (black hooks) diagonally onto the vertical tube below the lowest base frame rung, or as low as possible.



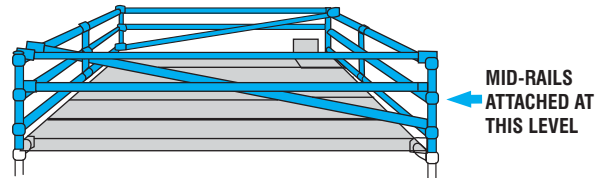
- 3** Attach six **DIAGONAL BRACES** to the base of the unit as shown. Level the unit using adjustable legs. The base is now complete.



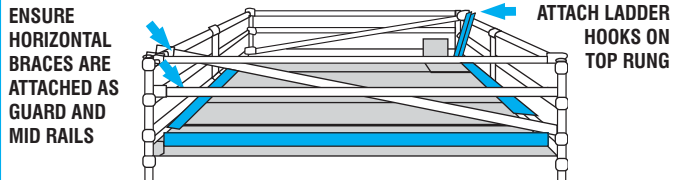
- 4** Additional 0.8m extensions. Insert an **EXTENSION FRAME**, spigots first, into the top of the **BASE UNIT** and secure interlock clips, see drawing below. Attach three **Diagonals** to frame as shown. Diagonal bracing must be 'Dog Legged'. Also two **HORIZONTALS** must be attached every 2nd extension, and one **PLAN BRACE** every 3.2m (or every 4th extension).



- 5** **GUARD RAIL EXTENSION:** Fit the four **PLAIN PLATFORMS** first, then the **WALK-THROUGH PLATFORM** with the hinges of the trapdoor to the outside of the tower. Insert the **GUARD RAILS**, spigots first, into the top of the last frame and secure the interlock clips. Attach two **HORIZONTAL BRACES** (yellow hooks) to the top rung of the **GUARD RAIL FRAME** and **MIDRAILS** and two **DIAGONAL BRACES**, for rigidity, as shown.



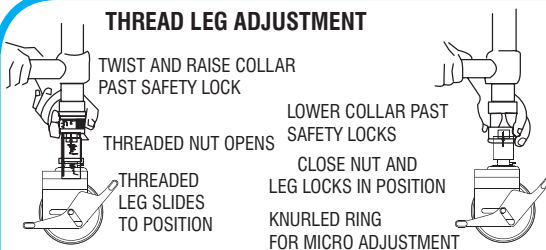
- 6** To complete the **WORK PLATFORM**, first fit the **TOEBOARD** to allow the trapdoor on the platform to open freely. Finally attach the **LADDER** through the **ACCESS PLATFORM**, as shown, and clip on stand off hooks, at base of ladder, to the corresponding rung on the frame. Ensure the access door movement is not impaired.



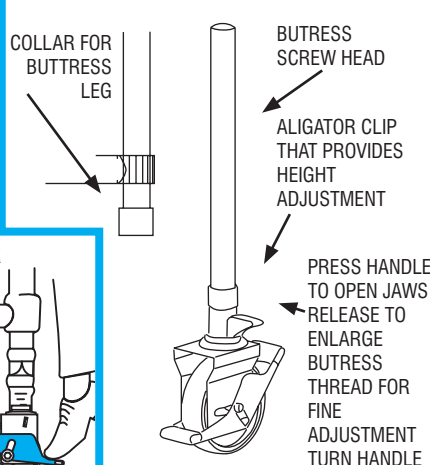
**LADDER 'CHANGE-OVER' PLATFORMS:** One **WALK-THROUGH PLATFORM** is required to enable safe ladder change over on towers with more than one ladder. Attach platform before ladder. Ensure two **HORIZONTAL BRACES** are also attached as **GUARD RAILS** and **MID RAILS**.

**BEFORE USE, PLEASE READ RULES ON BASE FRAME**

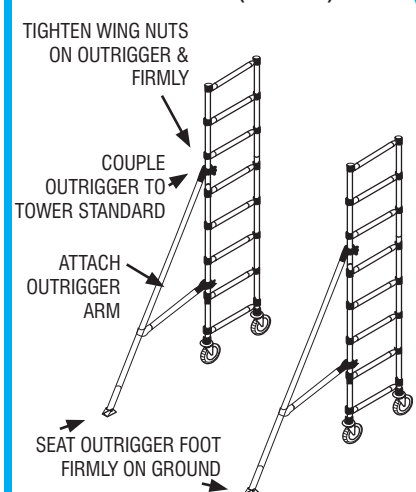
#### THREAD LEG ADJUSTMENT



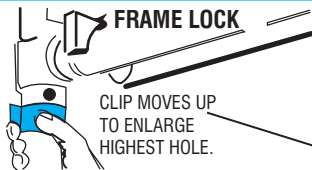
#### BUTTRESS LEG ADJUSTMENT



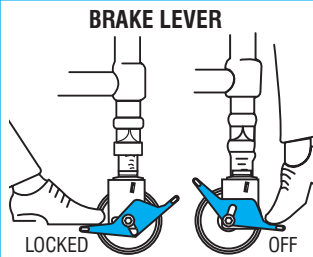
#### OUTRIGGERS (TYPICAL)



#### FRAME LOCK



#### BRAKE LEVER



#### NO-CLOG SNAP-ON HOOKS



If in doubt, phone your nearest **INSTANT** branch for advice - YOUR SAFETY MAY DEPEND ON IT!