



INSTANT SCAFFOLD

ERECTION GUIDE for TRUSS BASE FRAME

TRUSS BASE FRAME (Pat.No.525719)

The Truss Base Frame (TBF) permits the maximum height benefit of using a three metre square base with reduced equipment, as only Double width equipment is required.

The reduced components assist in ease of handling and manoeuvrability. The tower itself can be located centrally for overhead work or flush to one side for wall or fascia work.

The TBF is ideal where height is essential but a large work is not.

GUARD RAIL EXTENSION

- = 2 FRAMES
- 4 HORIZONTAL BRACES (Yellow Hooks) (Use as hand rail and mid-rail where required).
- 1 DIAGONAL BRACES

1 WALK THROUGH PLATFORM

- 1 STANDARD PLATFORM
- 1 TOEBOARD

2 LADDERS

LADDER CHANGE-OVER PLATFORM (WALK-THROUGH)

1.6m EXTENSION UNIT

- = 2 FRAMES
- 4 DIAGONAL BRACES

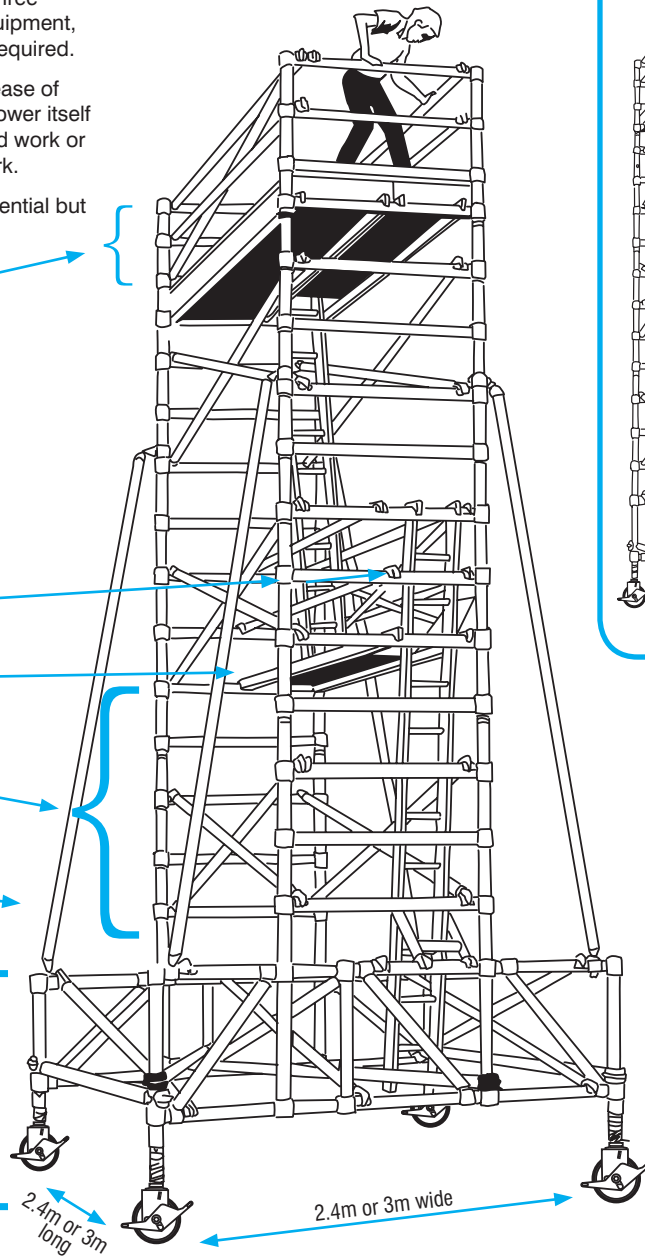
4 RAKER BRACES (CENTRE POSITION ONLY)

BASE FRAME UNIT

- 1.2m HIGH=
- 2 TRUSS BASE FRAMES (complete with adjustable legs and 200mm castor wheels)
- 6 DIAGONAL BRACES
- 2 HORIZONTAL BRACES
- 2 PLAN BRACES (Black Hooks)

CENTRE POSITION

Tower erected for over head access



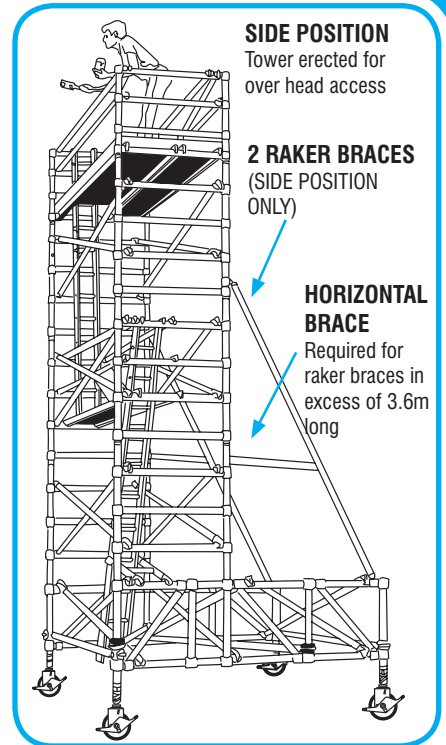
SIDE POSITION

Tower erected for over head access

2 RAKER BRACES (SIDE POSITION ONLY)

HORIZONTAL BRACE

Required for raker braces in excess of 3.6m long



SPECIFICATIONS

Safe working load	: 2 men plus 25kg materials.
Total	225kg (Maximum S.W.L. 450kg per tower if two levels are used, where approved).
Width	: 2.4m or 3m
Length	: 2.4m or 3m
Frame height	: 1.2m
Max. Platform height	: 2.4m2 TBF=7.2m : 3.0m2 TBF=9.0m
Max. Working height	: 2.4m2 TBF=9.0m : 3.0m2 TBF=10.8m

NB: See DOUBLE WIDTH TOWER ERECTION GUIDE for detailed tower erection.

DO NOT TAKE CHANCES! Failure to comply with the relevant Instant Scaffold Erection Guide may result in the Owner/ Hirer/ User incurring liability for damage and accident claims. For your safety, use only genuine guaranteed Instant Scaffold components, as supplied by Instant Access Aust P/L. Substituting other manufacturers' components could be dangerous and is not recommended.

NOTE The tower illustrated may be used higher than stated if tied-in to a stable structure in an approved manner. Specification vary in different states. To ensure Departmental and Health and Safety compliance please check with your local Instant Access representative. Competent persons must be used to erect, alter or dismantle towers when a person or object can fall a distance of 4.0M or more. Refer to your local O.H. & S Department for further details if in doubt.

SEE REVERSE SIDE FOR ERECTION DETAILS

FOR **INSTANT** SERVICE IN SUPPLYING YOUR ACCESS REQUIREMENTS CALL INSTANT ACCESS AUSTRALIA PTY LTD.

BRANCHES LOCATED AT:

SYDNEY	32 Carter Street Homebush Bay, NSW 2127
NEWCASTLE	29 Gipps Street Carrington, NSW 2294
BRISBANE	Bldg 3, 172 Robinson Road Geebung QLD 4034
MELBOURNE	Unit 1, 2 Cyanamid Street Laverton North, VIC 3026
CANBERRA	Unit 2, Subsidiary 2 (Rear Yard) 58 Sheppard Street Hume, ACT 2620
AUCKLAND NZ	104A Carbine Road Mt Wellington, NZ.
WELLINGTON NZ	66 Waione Street Petone, Lower Hutt, NZ.

PH: (02) 9748 6200	FAX: (02) 9748 6255
PH: (02) 4969 4133	FAX: (02) 4962 2597
PH: (07) 3624 3222	FAX: (07) 3865 8215
PH: (03) 9223 6666	FAX: (03) 9223 6655
PH: (02) 6260 1053	FAX: (02) 6260 1054
PH: +64 (09) 573 1009	FAX: +64 (09) 573 1022
PH: +64 (04) 589 1244	FAX: +64 (04) 589 1344

INSTANT ACCESS AUSTRALIA PTY LTD ABN 20 001 872 500 INSTANT ACCESS NZ LIMITED EMAIL: info@instaccess.com.au WEBSITE: www.instaccess.com.au

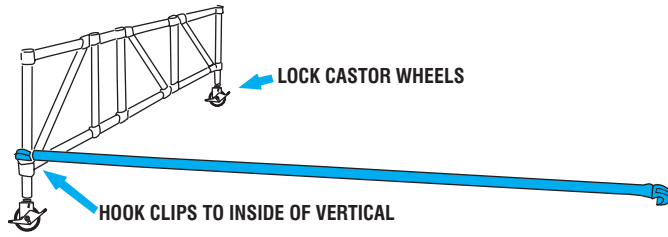


INSTANT SCAFFOLD

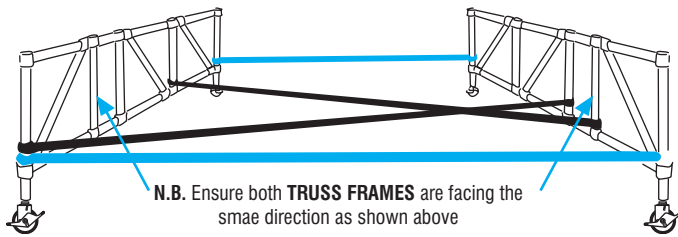
ERECTION GUIDE

TRUSS BASE FRAME

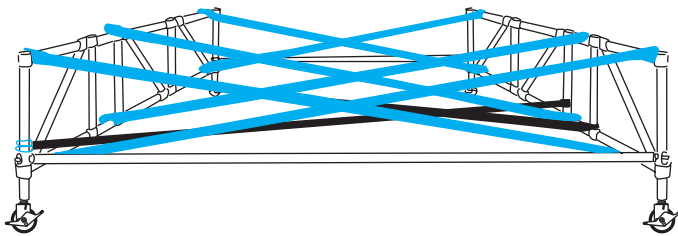
1 Attach **HORIZONTAL BRACE** (yellow hooks) to vertical tube of **TRUSS BASE FRAME**. Ensure castors are locked. Frame is now self supporting.



2 Attach spare end of brace to end of other **TRUSS BASE FRAME**. Attach 2nd **HORIZONTAL BRACE** (yellow hooks) to other side of frame. Attach **PLAN BRACE(S)** (black hooks) diagonally onto the vertical tube below the lowest base frame rung, or as low as possible.



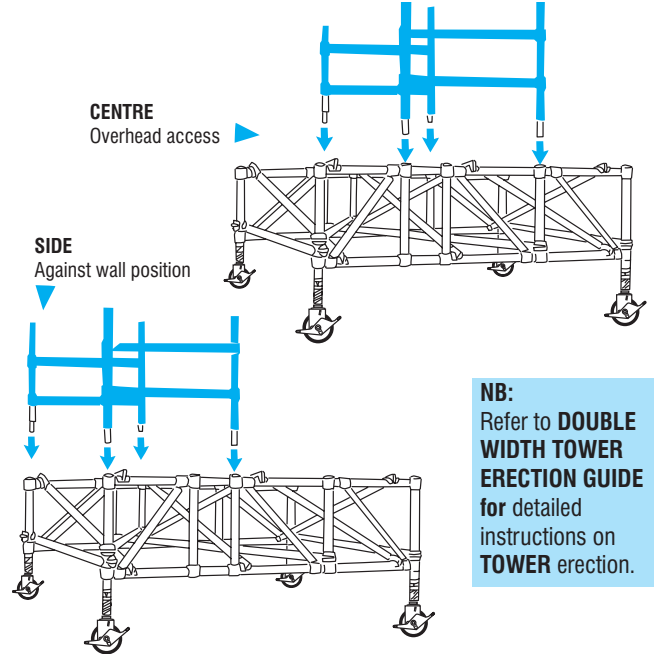
3 Attach six **DIAGONAL BRACES** to the base of the unit as shown. Level the unit using adjustable legs. The base is now complete.



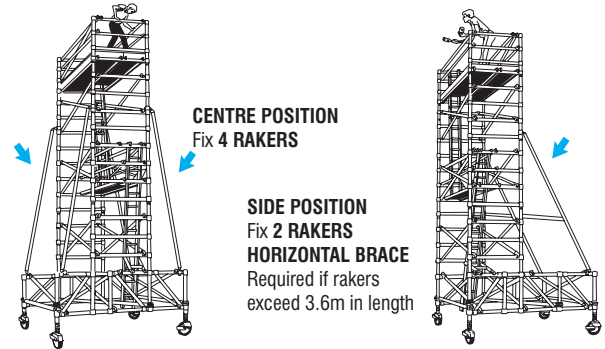
BEFORE USE, PLEASE READ RULES ON BASE FRAME

4 Attach the additional upper sections of the **DOUBLE WIDTH TOWER** onto the **TRUSS BASE FRAME**, spigots first, as per Erection guide for **DOUBLE WIDTH TOWERS**.

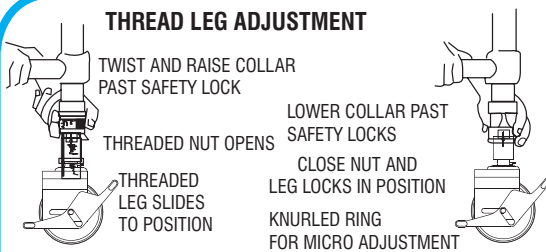
The double width tower can be positioned in the centre of the truss base frame or to one side. If access is required against a wall or fascia.



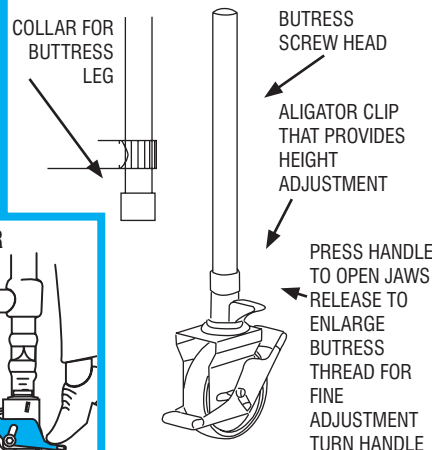
5 Fix **RAKER BRACES** once tower exceeds 3.9m in height as shown.



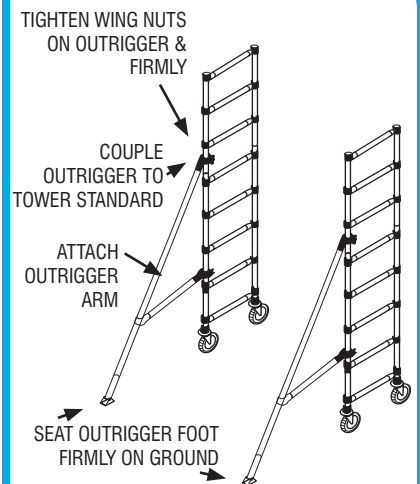
THREAD LEG ADJUSTMENT



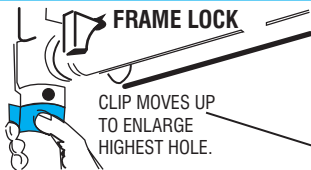
BUTTRESS LEG ADJUSTMENT



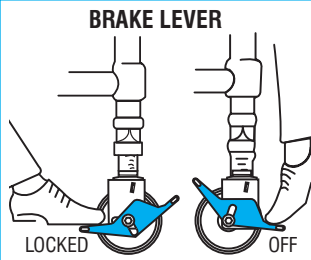
OUTRIGGERS (TYPICAL)



FRAME LOCK



BRAKE LEVER



NO-CLOG SNAP-ON HOOKS



If in doubt, phone your nearest **INSTANT** branch for advice - YOUR SAFETY MAY DEPEND ON IT!